

## Features

- Universal input 90~264V DC
- Direct Euro Fixed Plugtop Adapters
- Approved to UKCA, CE, TUV & RoHS
- Operating temperature 0~40°C
- IEC/EN 60601-1 Safety Approved
- Meets Efficiency Level VI & (EU) 2019/1782
- Output Voltage 24~48V AC
- OVP, OCP, OTP, SCP



Image for Illustration Purpose  
Models may vary

Ideal Power's 15DYS851-xyG-2-RS 50W AC/AC External Adapter Euro Plugtop Power Supply (PSU) Series are certified to UKCA, CE, TUV, RoHS & EN 60601-1/IEC 60601-1 Standards and comply with (EU) 2019/1782, Level VI Efficiency Regulations. These are primarily used in Medical, ITE, Audio & Video Industries and customised solutions are available upon request.

### Models

| Model Number          | Output Voltage (V dc) | Output Current (A) | Output Power (W) | Efficiency (%) |
|-----------------------|-----------------------|--------------------|------------------|----------------|
| 15DYS851-240210G-2-RS | 12                    | 2.1                | 50.4             | 87.76          |
| 15DYS851-480105G-2-RS | 48                    | 1.05               | 50.4             | 87.72          |

### Input Data

|                    | Min | Typical | Max  | Units | Notes                                     |
|--------------------|-----|---------|------|-------|---|
| Input Voltage      | 90  | --      | 264  | V AC  | 100-240VAC +/- 10%                        |
| Input Frequency    | 47  | --      | 63   | Hz    | 50-60Hz +/- 5%                            |
| Input Current      | --  | --      | 1.3  | A     | @ 100-240Vac input & Full load            |
| Inrush Current     | 0   | --      | 60   | A     | @ cold start, 100 / 240V AC               |
| Energy Consumption | --  | --      | 0.21 | W     | Input 115Vac or 230Vac and no output load |

### Output Data

|                      | Min | Typical | Max | Units | Notes                                  |
|----------------------|-----|---------|-----|-------|--|
| Output Current Range | 0.0 | --      | 2.1 | A     |  |
| Ripple & Noise       | 240 | --      | 480 | mVp-p | Model Dependant                        |
| Line Regulation      | --  | +3      | --  | A     | @ 100 Vac to 240 Vac input & Full load |
| Load Regulation      | --  | +5      | --  | %     |  |
| Turn-on Delay Time   | --  | --      | 3   | S     | @ 100 Vac to 240 Vac input & Full load |
| Hold-up Time         | 5   | --      | --  | S     | @ Full load & 115Vac at full load      |

**Protection Requirements**

|                          | Min   | Typical | Max  | Units | Notes                                      |
|--------------------------|-------|---------|------|-------|--|
| Over Current Protection  | 1.365 | --      | 2.73 | A     | Will recover if fault condition is removed |
| Short Circuit Protection |       |         |      |       | Will recover if fault condition is removed |
| Over Voltage Protection  |       |         |      |       | Will recover if fault condition is removed |

**Environmental Data**

|                       | Min | Typical | Max | Units | Notes   |
|-----------------------|-----|---------|-----|-------|---|
| Operating Temperature | 0   | --      | +40 | °C    |   |
| Storage Temperature   | -20 | --      | +80 | °C    |   |
| Operating Humidity    | 10  | --      | 90  | %     | non condensing  |
| Relative Humidity     | 5   | --      | 95  | %     | non condensing  |
| Vibration             | 10  | --      | 300 | Hz    | sweep at a constant acceleration of 1.0G(Breadth: 3.5mm) for 1Hour for each of the perpendicular axes X, Y, Z |

**Reliability Requirements**

|                       | Min | Typical | Max  | Units | Notes   |
|-----------------------|-----|---------|------|-------|---|
| Burn-in               | 2   | --      | --   | Hrs   | Under normal input and 80% rated load at 40°C ± 5°C |
| MTBF                  | --  | 50,000  | --   | Hrs   | @25°C Full load and nominal input                   |
| Dielectric Strength   | --  | --      | 5    | mA    | 4242Vdc / 60s (3s for mass production)              |
| Leakage Current       | --  | --      | 0.25 | mA    | @ 264Vac / 50H                                      |
| Insulation Resistance | 50  | --      | --   | mΩ    | @primary to secondary add 500Vdc test voltage       |

**EMI/EMS Standards**

|       | Test Level          | Test Criteria                 |
|-------|---------------------|-------------------------------|
| EMI   | FCC PART 18 Class B |                               |
| ESD   | IEC 61000-4-2       | Air +/-8KV – Contact +/-4KV B |
| EFT   | IEC 61000-4-4       | 0.5KV/1KV A/B                 |
| Surge | IEC 61000-4-5       | +/-1KV - +/-2KV A             |

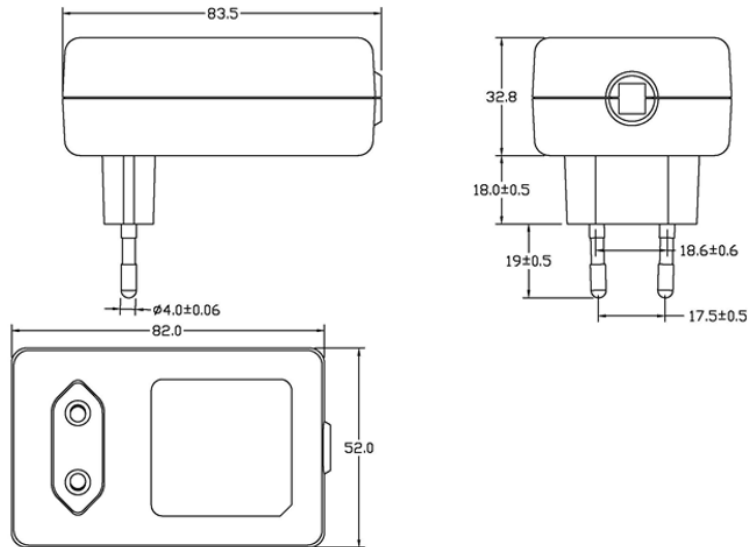
**Safety Approvals**

|                  | Safety Standards         |
|------------------|--------------------------|
| Safety Standards | IEC/EN 60601-1, approved |
| Approvals        | UKCA, CE, TUV, RoHS      |

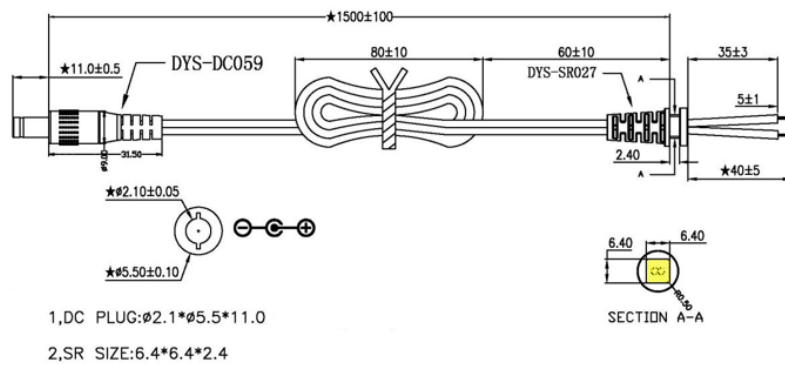
**Product Information**

|                  | Notes   |
|------------------|---|
| Dimensions       | 83.5 x 52 x 69.8mm                                  |
| Output Cord      | 24V: UL1185 20AWG 1850mm / 48V: UL2468 24AWG 1550mm |
| Output Connector | DC Plug: 2.1 x 5.5 x 11.0mm                         |

Mechanical & Cable Drawing



Typical Cable Drawing



Label Drawing

Typical Label Drawing

